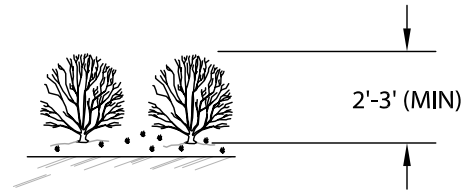
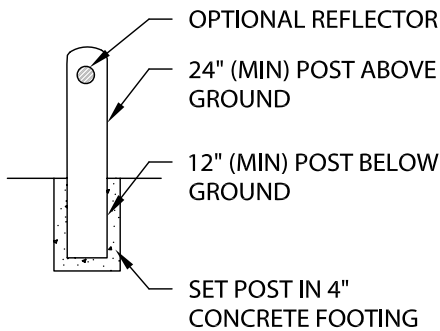


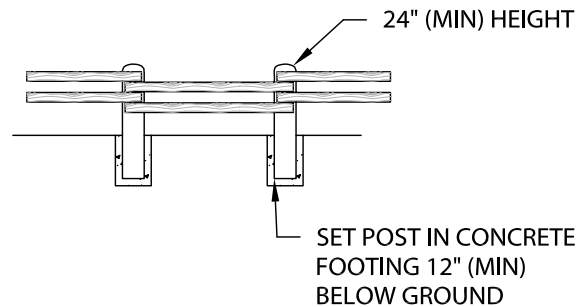
BOULDER SECTION



ESTABLISHED VEGETATION



POST/BOLLARD



FENCING

NOTES:

1. PARKING BARRIERS SHALL BE PLACED TO CONFINE VEHICULAR ACCESS TO PAVED SURFACES. PLACE BARRIERS NO MORE THAN 4' APART.
2. VEGETATION SHALL BE IN ACCORDANCE WITH FIRE DEFENSIBLE SPACE. SEE "LIVING WITH FIRE" AT WWW.LIVINGWITHFIRE.INFO.
3. CONSULT YOUR LOCAL JURISDICTION AND TRPA FOR PERMITTING REQUIREMENTS FOR FENCES.

Parking Barriers



THE TAHOE REGIONAL PLANNING AGENCY (TRPA) SHALL NOT BE RESPONSIBLE FOR THE ACCURACY OR COMPLETENESS OF ELECTRONIC COPIES OF THIS DETAIL.