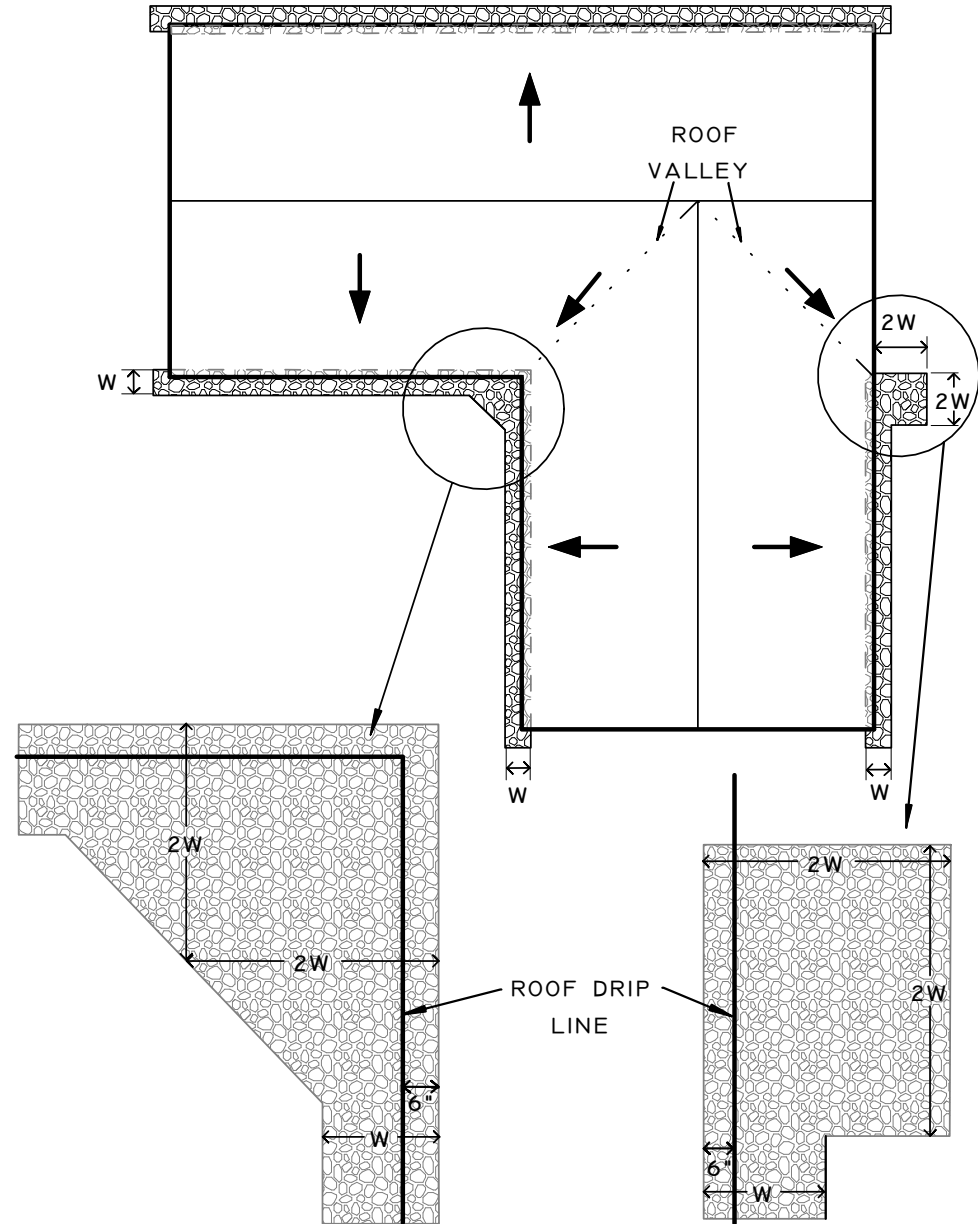



CONSTRUCTION NOTES

1. THIS DETAIL APPLIES TO ROOF DRIP LINES THAT REQUIRE ADDITIONAL ARMOR TO PROTECT THE SOIL WHERE ROOF VALLEYS CONCENTRATE FLOW AND PROJECT RUNOFF BEYOND THE STANDARD WIDTH TRENCH OR DRAIN ROCK ARMOR TREATMENT.
2. REFER TO APPLICABLE STANDARD DRAWINGS, BMP-001, "DRIP LINE INFILTRATION TRENCH," OR BMP-009, "ARMORED DRIP LINE," FOR MORE DETAIL.
3. "W" IS THE WIDTH OF THE DRIP LINE TREATMENT AS DEFINED IN THE BMP "SITE EVALUATION RECOMMENDED TREATMENTS" FORM.
4. WHEN ESTIMATING THE QUANTITY OF DRAIN ROCK REQUIRED, ACCOUNT FOR THE AREA BEYOND THE STANDARD WIDTH TREATMENT WITH A 3" MINIMUM LAYER OF 3/4" TO 1 1/2" DRAIN ROCK. OTHERWISE, USE APPROPRIATE DEPTH TO ESTIMATE QUANTITY OF LARGER ROCK MATERIAL SUCH AS RIPRAP.



LEGEND

- IMPERVIOUS SURFACE/
STRUCTURE OUTLINE
- • ROOF VALLEY
- IMPERVIOUS SURFACE FLOW
-  DRAIN ROCK

U.S. DEPARTMENT OF AGRICULTURE
NATURAL RESOURCES CONSERVATION SERVICE
IN COOPERATION WITH
**TAHOE RESOURCE CONSERVATION DISTRICT, AND
NEVADA TAHOE CONSERVATION DISTRICT**

DRAWN BY: _____ APPROVED BY: _____ DATE _____

DMGG/MPB

THIS STANDARD DRAWING IS BASED ON A REFERENCE TO THE NRCS STANDARD PRACTICE 570 - STORMWATER RUNOFF CONTROL. THIS DRAWING IS INTENDED TO ASSIST THE DESIGNER IN PREPARATION OF A COMPLETE SITE SPECIFIC DESIGN, AND IT IS NOT TO REPLACE THE INDEPENDENT JUDGMENT AND ANALYSIS BY A QUALIFIED DESIGNER.

USDA IS AN EQUAL OPPORTUNITY PROVIDER AND EMPLOYER