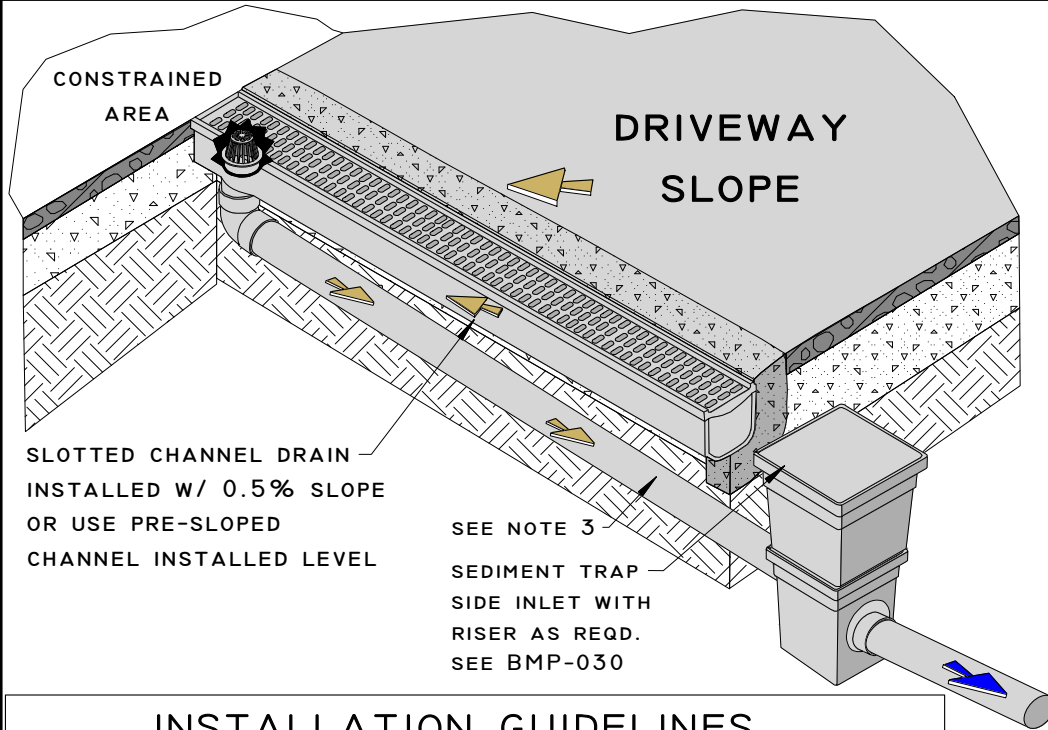


(RESIDENTIAL USE ONLY)  
BEST MANAGEMENT PRACTICE  
**SLOTTED CHANNEL DRAIN - REVERSE FLOW**

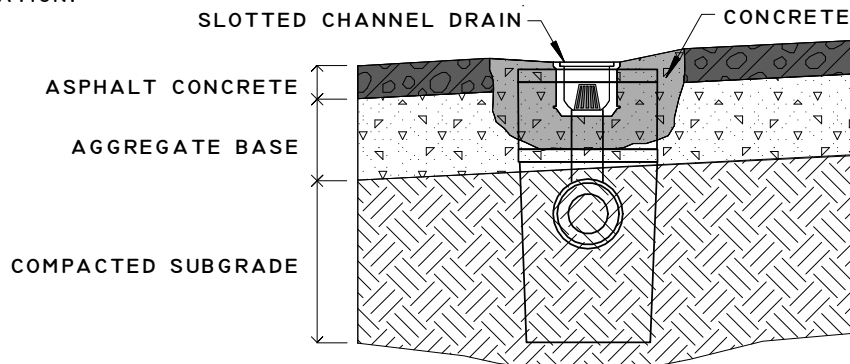


**CONSTRUCTION NOTES**

1. INFILTRATION SYSTEM COMPONENTS ARE NOT SHOWN. REFER TO BMP "SITE EVALUATION RECOMMENDED TREATMENTS" FORM FOR THE APPLICABLE COMPONENTS DESIGNED FOR THE PROPERTY. SEE BMP-003 FOR RELATED CONVEYANCE AND INFILTRATION COMPONENTS.
2. THIS DRAWING IS INTENDED FOR REFERENCE ONLY. FOLLOW MANUFACTURER'S SPECIFICATIONS FOR INSTALLATION OF SLOTTED CHANNEL DRAIN AND SEDIMENT TRAP.
3. PLACE 3" OR 4" PIPE BETWEEN SEDIMENT TRAP AND INFILTRATION SYSTEM WITH 2% MINIMUM SLOPE OR 1/4 IN. DROP PER FOOT. PVC, ABS OR POLYETHYLENE SMOOTH WALL SEWER AND DRAIN PIPE IS RECOMMENDED FOR ACCURATE GRADE CONTROL AND FOR EASE OF CLEANING. FOLLOW INSTRUCTIONS FOR INFILTRATION SYSTEM CONSTRUCTION AND ENSURE THAT NO FILTER FABRIC BLOCKS THE FLOW AT ALL PIPE CONNECTIONS.
4. ALL INSTALLATIONS MUST BE APPROPRIATELY LOAD RATED AS NECESSITATED BY POTENTIAL VEHICLE TRAFFIC. FOLLOW MANUFACTURER'S SPECIFICATIONS TO WITHSTAND VEHICLE LOADS. ALTERNATIVELY, INSTALL VEHICLE BARRIERS PER BMP-026 AND/OR EXTEND CONVEYANCE PIPE TO A PROTECTED AREA.
5. *REGULARLY SCHEDULED MAINTENANCE IS NECESSARY TO MAINTAIN FULL FUNCTION. MAINTENANCE INCLUDES INSPECTION, REMOVAL, AND PROPER DISPOSAL OF PINE NEEDLES AND ACCUMULATED SEDIMENT.*

**INSTALLATION GUIDELINES**

NOTE: SLOTTED CHANNEL DRAIN - REVERSE FLOW APPLIES TO DRIVEWAYS THAT SLOPE TOWARD AN AREA CONSIDERED UNSUITABLE FOR INFILTRATION (CONSTRAINED) AND A PRE-SLOPED CHANNEL WILL NOT PROVIDE ENOUGH SLOPE TO CONVEY RUNOFF TO THE DESIRED INFILTRATION SYSTEM LOCATION.



U.S. DEPARTMENT OF AGRICULTURE <b>NATURAL RESOURCES CONSERVATION SERVICE</b> IN COOPERATION WITH		
<b>TAHOE RESOURCE CONSERVATION DISTRICT, AND NEVADA TAHOE CONSERVATION DISTRICT</b>		
DRAWN BY:	APPROVED BY:	DATE
DMGG/MBP		

THIS STANDARD DRAWING IS BASED ON A REFERENCE TO THE NRCS STANDARD PRACTICE 570 - STORMWATER RUNOFF CONTROL AND 560 - ACCESS ROAD. THIS DRAWING IS INTENDED TO ASSIST THE DESIGNER IN PREPARATION OF A COMPLETE SITE SPECIFIC DESIGN, AND IT IS NOT TO REPLACE THE INDEPENDENT JUDGMENT AND ANALYSIS BY A QUALIFIED DESIGNER.