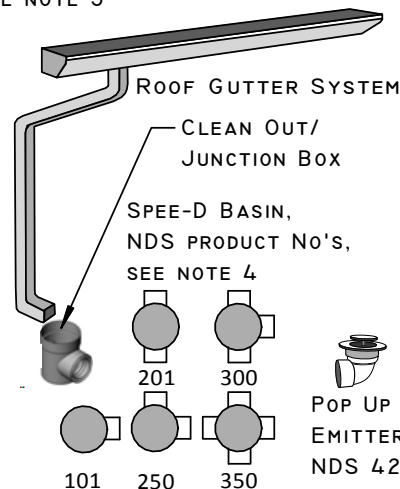
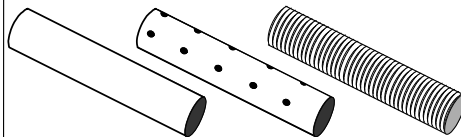
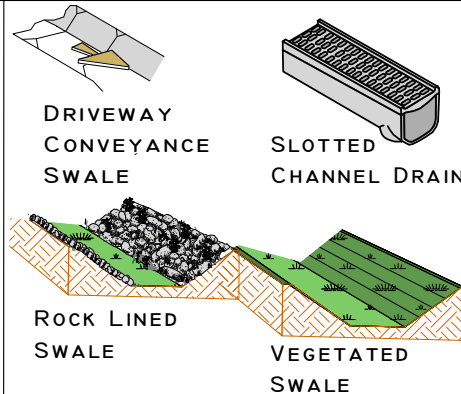


(RESIDENTIAL USE ONLY)  
BEST MANAGEMENT PRACTICE  
**INFILTRATION SYSTEM COMPONENTS**

STANDARD DRAWING REFERENCES:

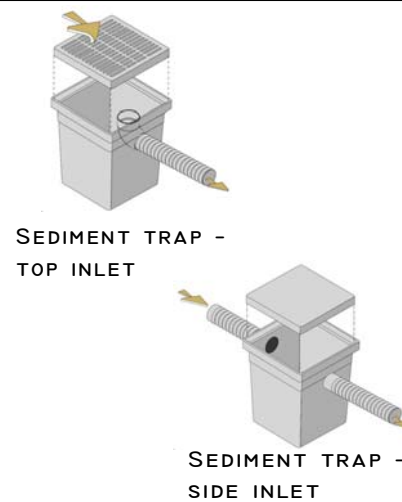
CONVEYANCE

BMP-020, 021, 022, 005, 007

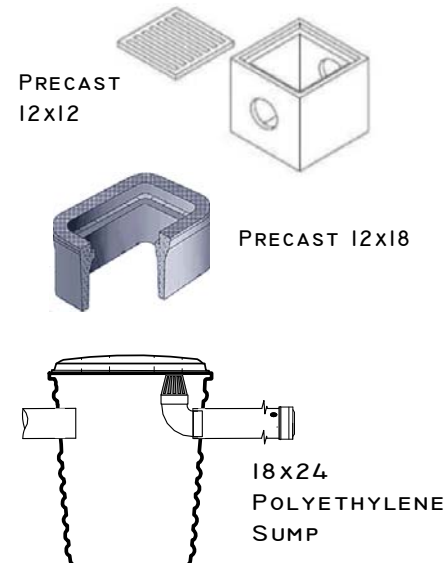


FILTRATION

BMP-030

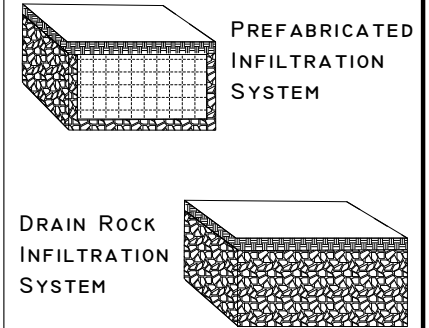


SEDIMENT TRAP ALTERNATIVES:



INFILTRATION

BMP-007



PREFABRICATED SYSTEM  
PRODUCT ALTERNATIVES:

INVISIBLE STRUCTURES  
RAINSTORE®



CULTEC  
STORMCHAMBER®



**NOTES:**

1. THIS DRAWING ILLUSTRATES THE VARIOUS COMPONENTS AND ALTERNATIVE PRODUCTS AVAILABLE TO DESIGN INFILTRATION SYSTEMS. THE NATURAL RESOURCES CONSERVATION SERVICE AND THE CONSERVATION DISTRICTS DO NOT ENDORSE ANY PARTICULAR BMP PRODUCTS.
2. REFER TO BMP "SITE EVALUATION RECOMMENDED TREATMENTS" FORM AND BMP SITE PLAN FOR FOR THE APPLICABLE BMPs DESIGNED FOR THE PROPERTY.
3. INSTALL CLEAN OUTS AS NECESSARY FOR SUBSURFACE CONVEYANCE SYSTEMS. REFER TO DETAILS IN BMP-005, "SUBSURFACE CONVEYANCE SYSTEM."
4. USE PRODUCTS SHOWN (OR EQUAL) IN CONJUNCTION WITH ROOF GUTTER SYSTEMS TO PROVIDE INLETS AND OUTLETS, CLEAN-OUTS, AND JOIN MULTIPLE PIPES AS NECESSARY.

U.S. DEPARTMENT OF AGRICULTURE  
**NATURAL RESOURCES CONSERVATION SERVICE**  
IN COOPERATION WITH  
**TAHOE RESOURCE CONSERVATION DISTRICT, AND  
NEVADA TAHOE CONSERVATION DISTRICT**

DRAWN BY: APPROVED BY: DATE

CLT