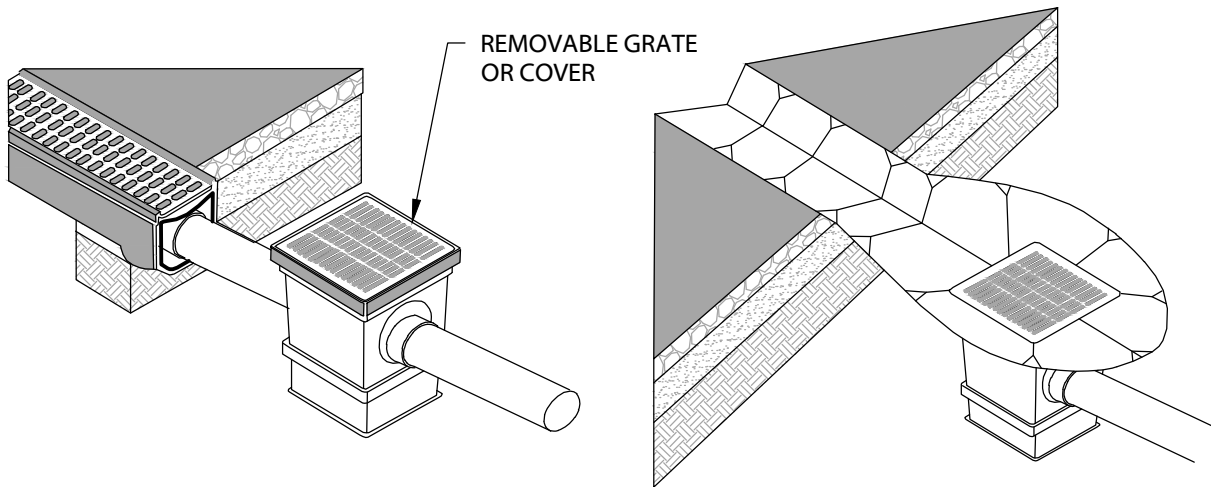


CONVEYANCE TO INFILTRATION SYSTEM SECTION



SLOTTED DRAIN CHANNEL

ASPHALT/CONCRETE SWALE

**NOTES:**

1. DESIGN SUMP TO HAVE ONE CUBIC FOOT OF STORAGE FOR EVERY 100 SQUARE FEET OF IMPERVIOUS AREA DRAINING TO SEDIMENT TRAP.

**Sediment Trap - Small Scale**



THE TAHOE REGIONAL PLANNING AGENCY (TRPA) SHALL NOT BE RESPONSIBLE FOR THE ACCURACY OR COMPLETENESS OF ELECTRONIC COPIES OF THIS DETAIL.