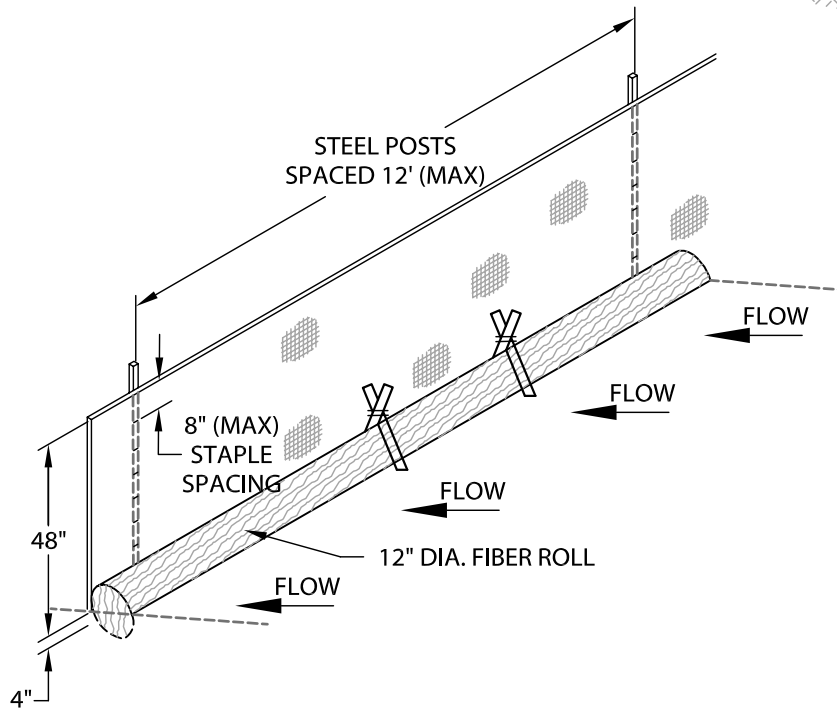
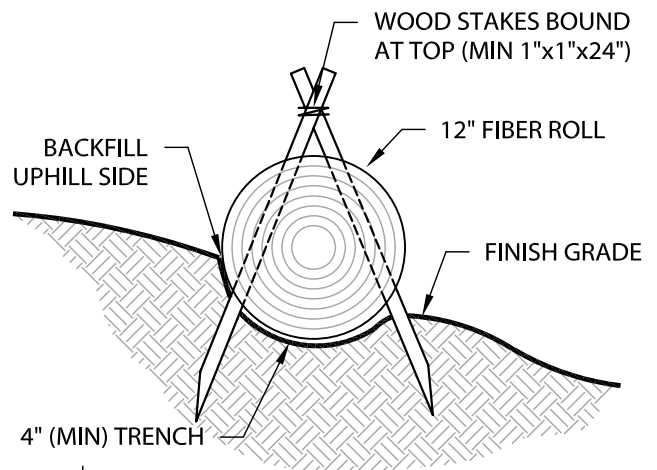


SECTION  
FIBER ROLL SILT BARRIER  
AT SAFETY FENCE



**NOTES:**

1. FIBER ROLL SHALL NOT BE MADE FROM STRAW. FIBER ROLLS SHALL BE BOUND BY HIGH STRENGTH COIR NETTING, AND HAVE A MINIMUM WEIGHT OF 5 LBS PER LINEAL FOOT.
2. ORANGE SAFETY FENCE IS INTENDED TO PROTECT FIBER ROLLS FROM COMPRESSION BY VEHICLES, CONSTRUCTION EQUIPMENT, ECT. FENCES SHALL BE HIGH DENSITY POLYETHYLENE WITH A MESH OPENING OF APPROXIMATELY 1 INCH BY 4 INCHES AND A MINIMUM HEIGHT OF 4 FEET. SAFETY FENCE MAY BE OMITTED IN LOW TRAFFIC AREAS.
3. FIBER ROLL SILT BARRIER SHALL BE INSTALLED ALONG CONTOUR AND ON SLOPES 5H:1V OR FLATTER UNLESS OTHERWISE APPROVED BY TRPA.
4. THE INSTALLATION CONFIGURATION SHALL PREVENT RUNOFF FROM LEAVING THE SITE OR ENTERING A WATERCOURSE WITHOUT PASSING THROUGH A SILT BARRIER.
5. THE MAXIMUM LENGTH OF SLOPE DRAINING TO THE SILT BARRIER SHALL BE 100 FEET.
6. FIBER ROLL SHALL BE INSTALLED BY SHAPING A 4 INCH DEEP FURROW TO MATCH THE SHAPE OF THE LOG, SECURING IN FURROW WITH WOOD STAKES, AND TAMPING THE GROUND AROUND THE FIBER ROLL TO FILL VOIDS BETWEEN THE LOG AND THE GROUND.

**Fiber Roll Silt Barrier**



THE TAHOE REGIONAL PLANNING AGENCY (TRPA) SHALL NOT BE RESPONSIBLE FOR THE ACCURACY OR COMPLETENESS OF ELECTRONIC COPIES OF THIS DETAIL.