

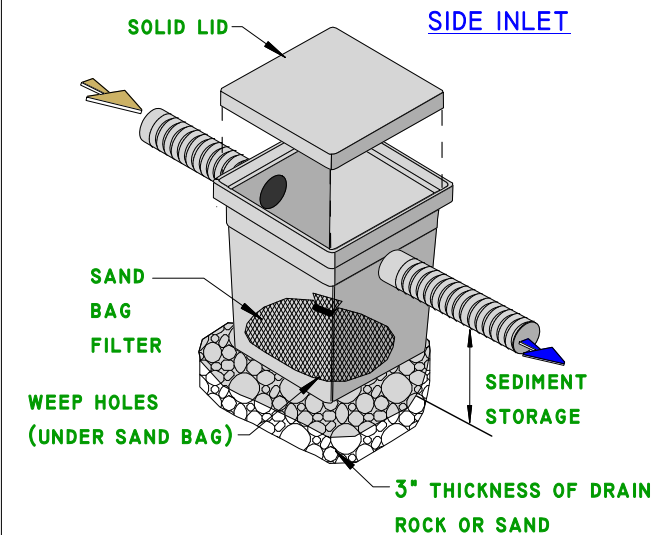
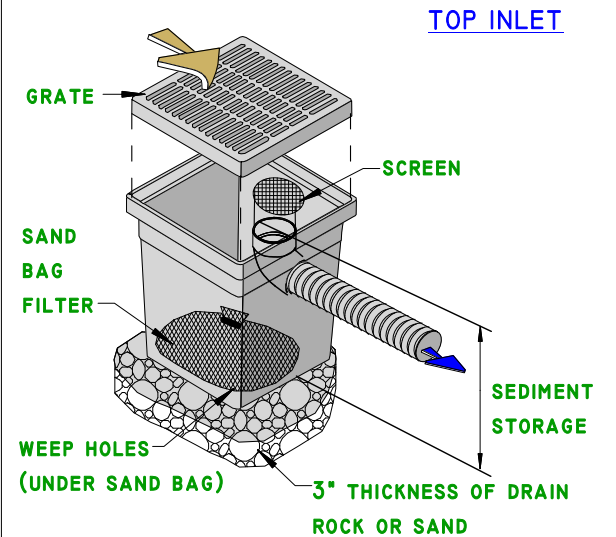
(RESIDENTIAL USE ONLY)  
BEST MANAGEMENT PRACTICE  
**SEDIMENT TRAP**

**GENERAL NOTES:** SEDIMENT TRAPS HELP PROTECT INFILTRATION SYSTEMS FROM PREMATURE CLOGGING FROM DIRTY STORM WATER. REFER TO THE BMP "SITE EVALUATION RECOMMENDED TREATMENTS" FORM FOR SITE SPECIFIC SEDIMENT TRAP SIZE. FOR SOME AVAILABLE PRODUCTS, SEE NRCS "SEDIMENT TRAP SIZING SHEET," BMP-030A. THE LIST IS THE RESULT OF A LIMITED SEARCH OF LOCAL AND INTERNET BASED SUPPLIERS. OTHER PRODUCTS ARE APPLICABLE.

**INSTALLATION:** (REFER TO NRCS STANDARD DRAWING, BMP-007 FOR AN OVERVIEW OF INFILTRATION SYSTEMS.)

1. DETERMINE THE APPROPRIATE PLACEMENT OF THE SEDIMENT TRAP. IT MAY BE PLACED EITHER DIRECTLY IN THE INFILTRATION SYSTEM OR UPSTREAM OF IT. THE TRAP MUST BE LOCATED SUCH THAT WATER WILL FLOW INTO IT FROM THE IMPERVIOUS SURFACE AND LEAVE IT DOWNSTREAM TO THE INFILTRATION SYSTEM. ENSURE THAT THE DEPTHS REQUIRED FOR INSTALLATION ARE NOT IN CONFLICT WITH BEDROCK, UTILITIES, HIGH GROUNDWATER, ETC. CALL FOR APPROVAL IF DESIGN MODIFICATIONS ARE REQUIRED.
2. IF THE SEDIMENT TRAP IS UPSTREAM FROM THE INFILTRATION SYSTEM DIG A HOLE LARGE ENOUGH TO ALLOW 3" OF BACKFILL (GRAVEL OR SAND) ON EACH SIDE AND THE BOTTOM OF THE SEDIMENT TRAP (BOX). IF IT IS PLACED IN THE INFILTRATION SYSTEM CREATE THE NECESSARY SPACE.
3. CUT WEEP HOLES IN THE BOTTOM OF THE BOX OR SELECT A BOTTOMLESS BOX. MINIMALLY THIS SHOULD BE ABOUT 4 - 3/4" HOLES. WHETHER A BOTTOMLESS BOX OR WEEP HOLES, THE AREA BELOW THE BOX NEEDS TO BE PROTECTED FROM SEDIMENT CLOGGING. THIS IS DONE BY COVERING THE WEEP HOLES OR BOTTOM OF BOTTOMLESS BOX COMPLETELY WITH A SAND BAG FILTER OR ALTERNATIVE METHOD (SEE NOTE 5.)
4. PLACE THE ASSEMBLED BOX TO THE PROPER GRADE AND CONNECT PIPE(S) AS APPROPRIATE. THE INLET PIPE MUST SLOPE TOWARDS THE BOX AND THE OUTLET PIPE AWAY FROM THE BOX BOTH AT A MINIMUM OF 1/4 INCH VERTICAL DROP PER 1 FOOT HORIZONTAL DISTANCE. INSURE A SNUG CONNECTION SO THAT STORM WATER IS NOT ABLE TO ESCAPE AROUND THE SIDES OF THE PIPE. ENSURE THAT NO FILTER FABRIC BLOCKS THE INLET OR OUTLET, HOWEVER, SOME SCREENING OF THE OUTLET PIPE WITH HARDWARE CLOTH, WIRE MESH, ETC. IS NECESSARY TO PREVENT FLOATABLE DEBRIS, SUCH AS PINE NEEDLES, FROM CLOGGING THE SYSTEM. SIMPLY SECURE THE SCREEN OVER THE OUTLET INSIDE THE BOX. A 90 DEGREE ELBOW MAY BE ADDED TO INCREASE SEDIMENT STORAGE FOR TOP INLET MODEL (SEE DRAWING).
5. COVER THE WEEP HOLES WITH A SAND BAG FILTER. THE SAND BAG FILTER MAY BE CONSTRUCTED FROM A 1 OR 5 GALLON PAINT STRAINER FILLED WITH CLEAN WASHED PLAY SAND. SIMILAR TO CONNECTING THE PIPES IN #4 ABOVE, STORM WATER MUST NOT BE ABLE TO ESCAPE AROUND THE SAND BAG FILTER AND OUT THE BOTTOM OF THE TRAP.
6. ALL INSTALLATIONS MUST BE APPROPRIATELY LOAD RATED AS NECESSITATED BY POTENTIAL VEHICLE TRAFFIC. ALTERNATIVELY, BLOCK ACCESS WITH PARKING BARRIERS PER BMP-026.
7. ADD EXTENSIONS AS NEEDED TO ADJUST LID TO FINISH GRADE. BACKFILL SYSTEM TO THE TOP OF THE BOX.

**MAINTENANCE:** INSPECT IN SPRING, FALL, AND AFTER HEAVY RAINS. REMOVE AND DISPOSE OF SEDIMENT AND DEBRIS PROPERLY. CHECK SAND BAG FILTER AND PIPES FOR CLOGGING AND RE-ESTABLISH DRAINAGE AS NEEDED. REMOVE AND REPLACE OR REJUVENATE SAND BAG FILTER WHEN DRAIN TIME OF FULL BOX AFTER STORM EXCEEDS 48 HOURS.



U.S. DEPARTMENT OF AGRICULTURE  
**NATURAL RESOURCES CONSERVATION SERVICE**  
IN COOPERATION WITH  
**TAHOE RESOURCE CONSERVATION DISTRICT, AND  
NEVADA TAHOE CONSERVATION DISTRICT**

DRAWN BY: \_\_\_\_\_ APPROVED BY: \_\_\_\_\_ DATE: \_\_\_\_\_

CLT

THIS STANDARD DRAWING IS BASED ON A REFERENCE TO THE NRCS STANDARD PRACTICE 570-STORMWATER RUNOFF CONTROL.

THIS DRAWING IS INTENDED TO ASSIST THE DESIGNER IN PREPARATION OF A COMPLETE SITE SPECIFIC DESIGN, AND IT IS NOT TO REPLACE THE INDEPENDENT JUDGMENT AND ANALYSIS BY A QUALIFIED DESIGNER.

USDA IS AN EQUAL OPPORTUNITY PROVIDER AND EMPLOYER